



STANCOR®

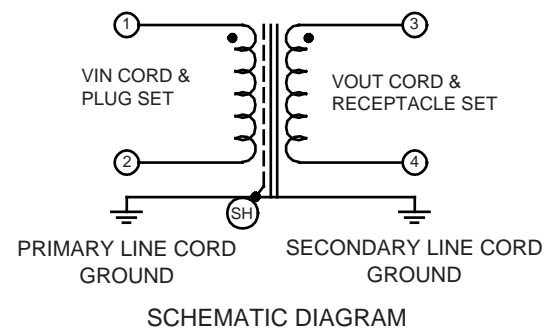
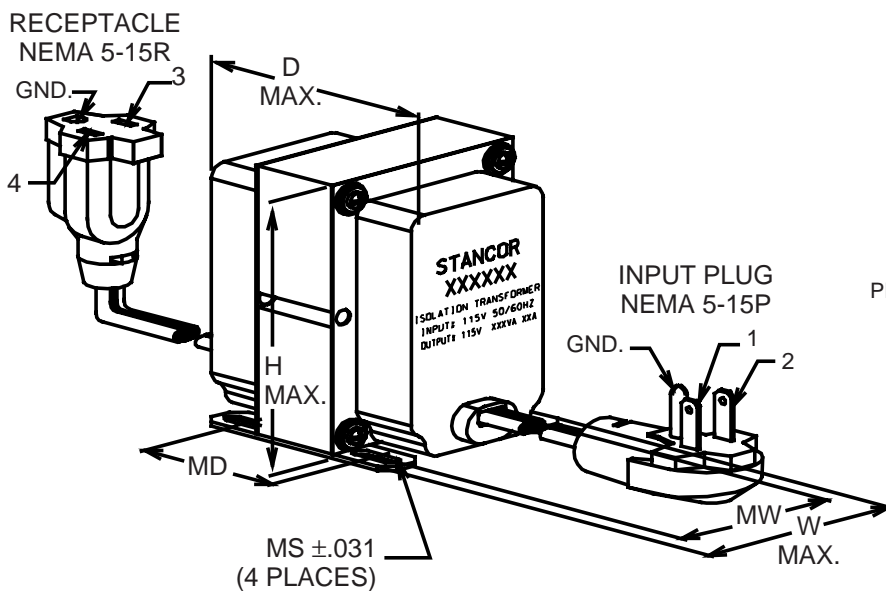
Straight Isolation Transformers 115 to 115 Volts

⚠ WARNING	
	<p style="text-align: center;">ELECTROCUTION HAZARD</p> <p>Disconnect electric power to system at main fuse or circuit breaker box before servicing. Failure to do so could result in death or serious injury.</p>
	<p style="text-align: center;">FIRE HAZARD</p> <p>Do not exceed transformer ratings. Higher voltage may damage control and could cause personal injury or property damage.</p>

INPUT:	115VAC, 50/60Hz
OUTPUT:	115 VAC (See Output Amp rating & VA Capacity in table below)
INSULATION RATING:	Class A (105°C)
TEMPERATURE RISE:	65°C Max. rise over 40°C Max. ambient
DIELECTRIC STRENGTH:	1500 VRMS

NOTES:

1. All dimensions in inches, unless otherwise specified.
2. All dimensions $\pm .062$, unless otherwise specified.
3. Plug cord 5 1/2 feet long min.
4. Receptacle cord 8 inches long min.



STANCOR Part No.	Output Amps	V.A. Cap.	Dimensions - Inches						Wt. Lbs.
			H	W	D	MW	MD	MS	
P-6410	0.43	50	3.50	2.88	3.50	2.25	2.00	.203X.687	3.70
GIS-100	0.87	100	3.50	2.88	3.56	2.25	2.28	.203X.687	4.50
GIS-150	1.30	150	3.88	3.19	4.19	2.50	2.72	.203X.750	7.00
GIS-250	2.17	250	4.75	3.81	4.38	3.00	3.19	.203X.500	9.00
GIS-500	4.35	500	4.75	3.81	6.13	3.00	4.69	.203X.750	16.00
GIS-1000	8.70	1000	5.44	4.44	8.25	3.50	6.50	.203X.750	31.00