

STANCOR®

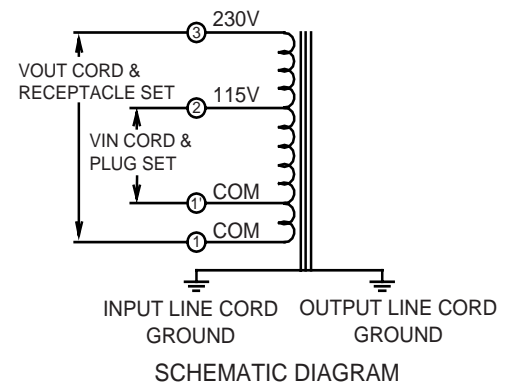
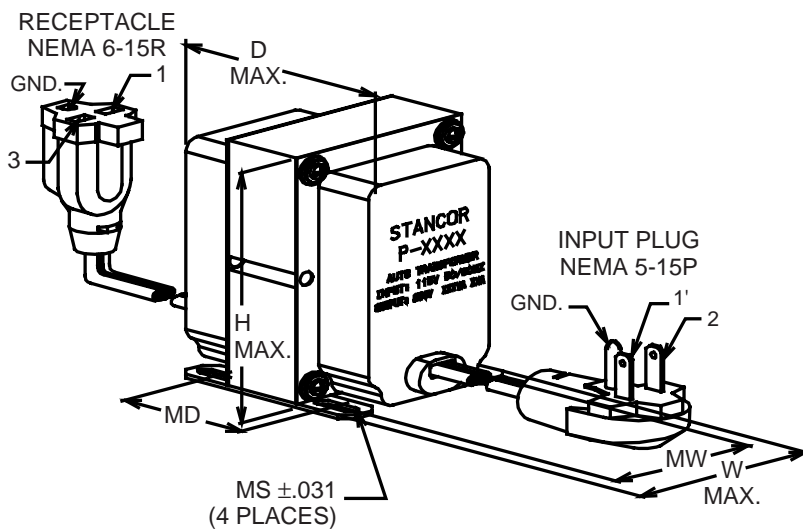
Step-Up Auto Transformers 115 to 230 Volts

⚠ WARNING	
	<p>ELECTROCUTION HAZARD</p> <p>Disconnect electric power to system at main fuse or circuit breaker box before servicing. Failure to do so could result in death or serious injury.</p>
	<p>FIRE HAZARD</p> <p>Do not exceed transformer ratings. Higher voltage may damage control and could cause personal injury or property damage.</p>

INPUT:	115VAC, 50/60Hz
OUTPUT:	230 VAC (See Output Amp rating & VA Capacity in table below)
INSULATION RATING:	Class A (105°C)
TEMPERATURE RISE:	65°C Max. rise over 40°C Max. ambient
DIELECTRIC STRENGTH:	1500 VRMS

NOTES:

1. All dimensions in inches, unless otherwise specified.
2. All dimensions $\pm .062$, unless otherwise specified.
3. Plug cord 5 1/2 feet long min.
4. Receptacle cord 8 inches long min.



STANCOR Part No.	Output Amps	V.A. Cap.	Dimensions - Inches						Wt. Lbs
			H	W	D	MW	MD	MS	
P-8637	0.37	85	3.19	2.56	2.88	2.00	1.75	.203 X .687	2.50
P-8638	0.54	125	3.19	2.56	3.00	2.00	2.06	.203 X .687	3.00
P-8639	1.30	300	3.94	3.19	3.94	2.50	2.22	.203 X .750	5.20
P-8640	2.17	500	4.69	3.81	4.50	3.00	3.19	.203 X .500	10.30
P-8689	4.35	1000	4.69	3.81	6.13	3.00	4.69	.203 X .750	17.00